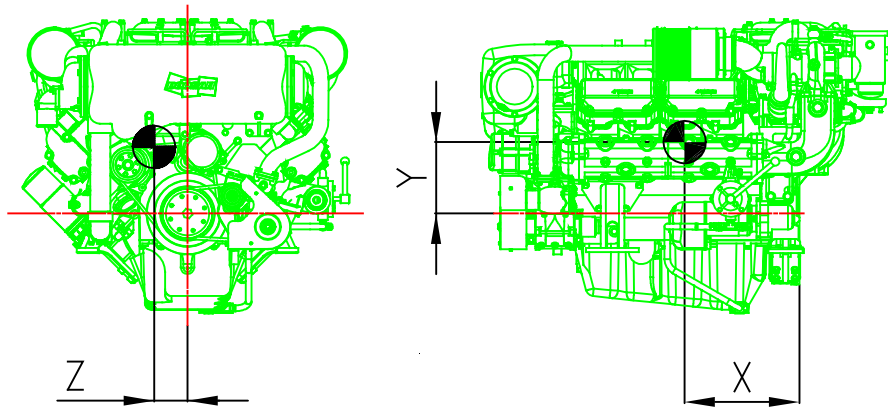
	<h1>CENTER OF GRAVITY</h1>	
	<h2>4V158TIH & 4V158TIM</h2>	
		2007.05.10



* WEIGHT	X Y Z			REMARKS
	X	Y	Z	
1540 kg	434	270	1.7	

* WEIGHT : WITHOUT ENGINE COOLING WATER
 ENGINE LUB. OIL
 HYDRAULIC CLUTCH