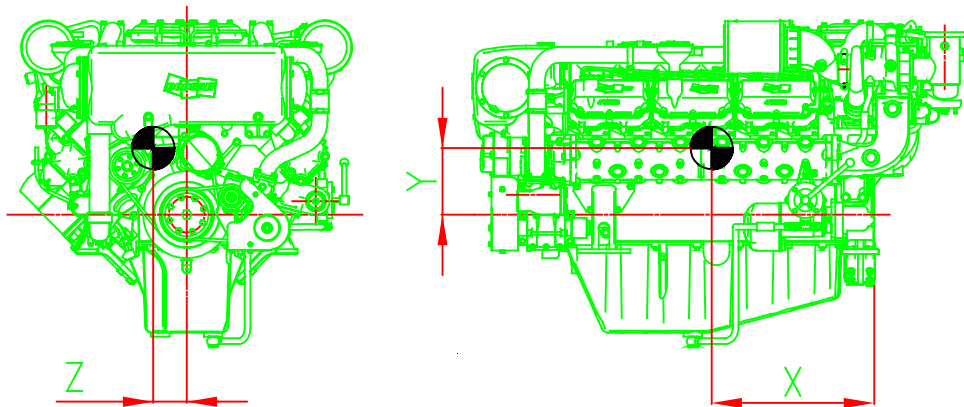
	<h1>CENTER OF GRAVITY</h1>	
	<h2>4V222TIH & 4V222TIM</h2>	
		2007.05.10



* WEIGHT	X Y Z			REMARKS
	1920 kg	615	252	

* WEIGHT : WITHOUT ENGINE COOLING WATER
 ENGINE LUB. OIL
 HYDRAULIC CLUTCH