



# Marine Diesel Engine

## L086TI

Daewoo Heavy Industries has made a fresh start as **Doosan Infracore**.

- *Compact Design*
- *Excellent Performance*
- *Super Low Fuel Consumption*
- *Easy Maintenance*

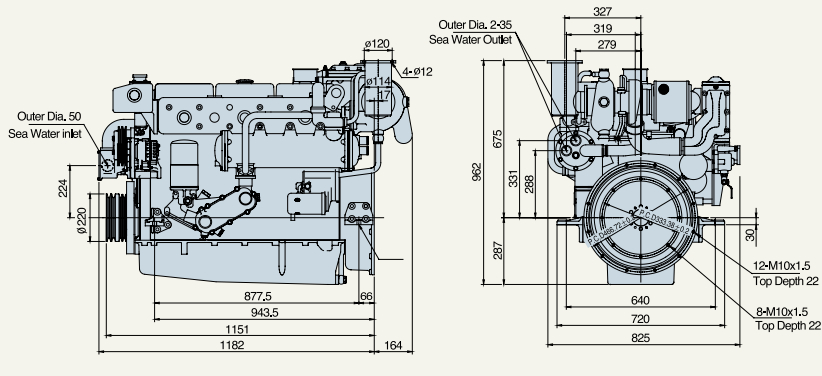


- Continuous Rating (BHP)  
· 265kW (360PS)
- Displacement  
· 8,071cc
- Dimension (L×W×H)  
· 1,182×825×962mm  
· Without Reduction Gear



Infracore

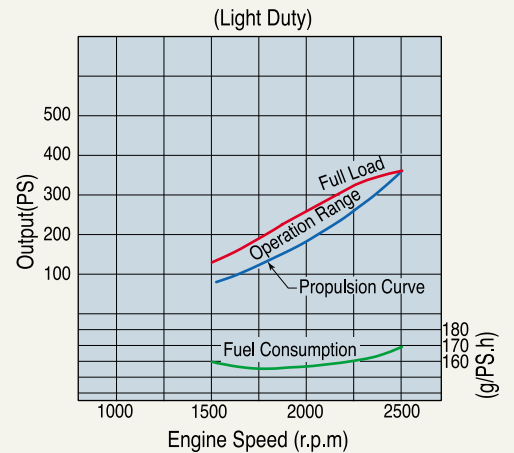
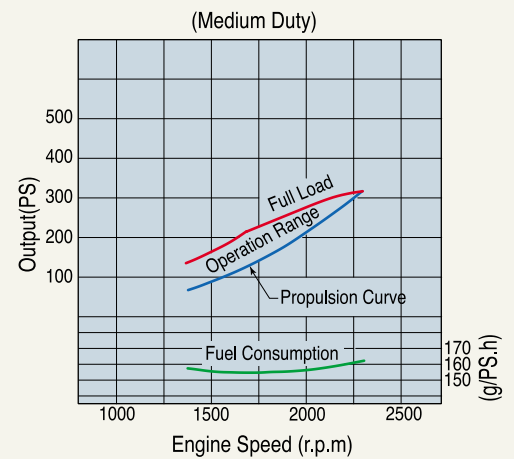
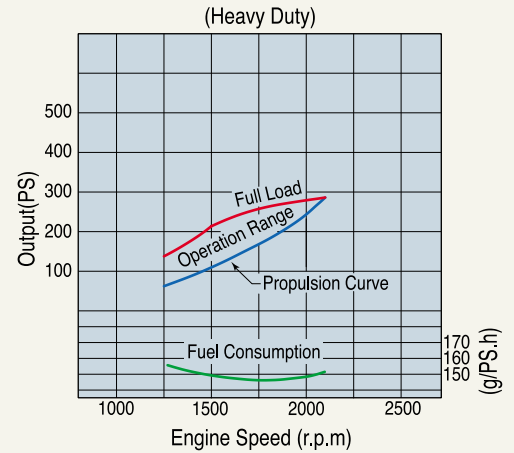
## Engine Dimension



## Main Specification

Model	Units	L086TI (D1146TIB)		
		L086TIH	L086TIM	L086TIL
Engine type		4cycle, In line, direct-injection, water cooled, with wet turbo charger & inter-cooler		
Rating output (B.H.P)	kW(PS)/ rpm	210(285)/2,100	232(315)/2,300	265(360)/2,500
Displacement	cc	8,071		
Cylinder number - bore (φ) × stroke	mm	6 - φ 111 × 139		
Valve clearance at cold	In / Ex	mm 0.3 / 0.3		
Low idling rpm	rpm	750 ± 25		
No load max. rpm	rpm	below 2,310	below 2,530	below 2,750
Mean effective pressure	kg / cm <sup>2</sup>	15.14	14.55	16.06
Mean piston speed	m / sec.	9.73	10.66	11.58
Compression ratio		16.7 : 1		15.3 : 1
Firing order		1 - 5 - 3 - 6 - 2 - 4		
Compression pressure	(at 200rpm) kg / cm <sup>2</sup>	28 (Initial condition)		
Governor type of injection pump		Mechanical all speed (R.S.V)		
Fuel consumption	g / PS.h	152	163	170
	liter/h	52	62	74
Injection timing(B.T.D.C)	deg	15° ± 1°	15° ± 1°	13° ± 1°
Fuel inj. nozzle opening pressure	kg / cm <sup>2</sup>	224		
Starting system		Electric Starting by starter motor		
Starter motor capacity	V - kW	24 - 4.5		
Alternator capacity	V - A	24 - 50		
Battery	V - Ah	24 - 120		
Cooling system		Indirect sea water cooling with heat exchanger		
Cooling water capacity	Max. / Min. lit	27 / 25		
Fresh water pump type		Centrifugal type, driven by V-belt		
Sea water pump type		Rubber impeller type driven by gear		
Lubricating oil (Engine)	Pan capacity lit	Max : 23, Min : 17 (Engine total : 25)		
	Pressure kg / cm <sup>2</sup>	Full : 3.5, Idle : 1.2		
Marine gear	Gear ratio	1.77	2.09	2.42 2.82 3.19
Direction of revolution	Crankshaft	Counter clockwise viewed from stern side		
	Propeller	Clockwise viewed from stern side		
Engine Size (L×W×H)	Without M/G mm	1,182×825×962		
	With M/G mm	1,557×825×1,062		
Engine dry weight	Without M/G kg	790		
	With M/G kg	1,015		

## Performance Curve



L086TI(July/05)



**Infracore**

Seoul Office : Overseas Marketing & Sales  
 Engine & Material BG  
 Doosan Infracore Co., Ltd.  
 22nd Floor, Doosan Tower, 18-12, Euljiro 6-ga,  
 Jung-gu, Seoul, Korea.  
 Tel : +82-2-3398-8534  
 Fax : +82-2-3398-8509

Web site : <http://iv.doosaninfracore.com>

AUTHORIZED DEALER

\* Specifications are subject to change without prior notice.