



# Marine Diesel Engine

## L126TI

Daewoo Heavy Industries has made a fresh start as **Doosan Infracore**.

- *Compact Design*
- *Excellent Performance*
- *Super Low Fuel Consumption*
- *Easy Maintenance*

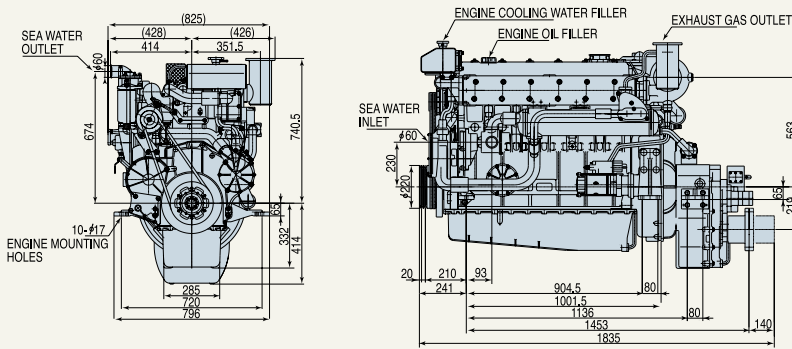


- Continuous Rating (BHP)  
· 294kW (400PS)
- Displacement  
· 11,051cc
- Dimension (L×W×H)  
· 1,695×854×1,155mm  
· Including Reduction Gear

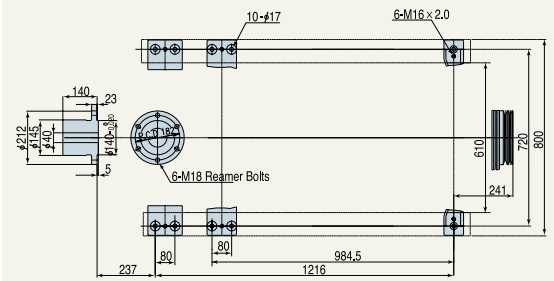


Infracore

## Engine Dimension



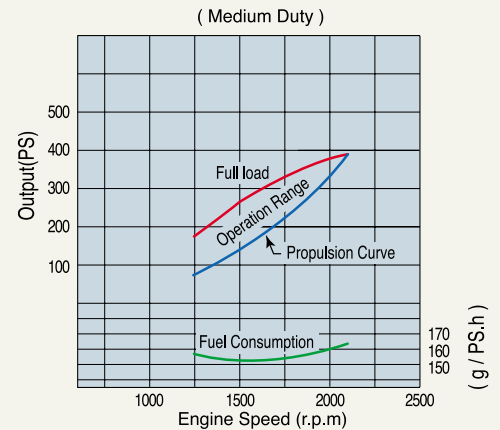
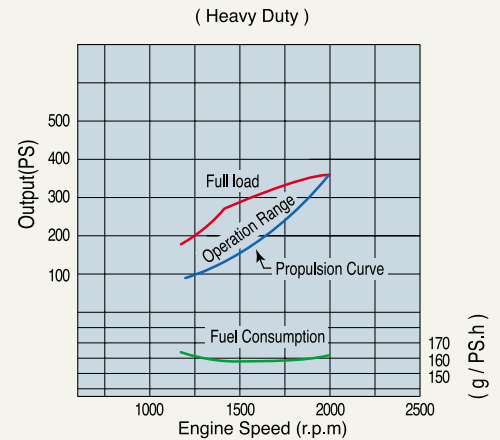
## Installation Dimension



## Main Specification

Model	Units	L126TI (DE12TIB)	
		L126TIH	L126TIM
Engine type		4cycle, In line, direct-injection, water cooled, with wet turbo charger & inter-cooler	
Rating output (B.H.P)	kW(PS)/rpm	265(360)/2,000	294(400)/2,100
Displacement	c c	11,051	
Cylinder number - bore (φ) × stroke	mm	6 - φ 123 × 155	
Valve clearance at cold	In/Ex	0.3 / 0.3	
Low idling rpm	rpm	725 ± 25	
No load max. rpm	rpm	below 2,200	below 2,310
Mean effective pressure	kg / cm <sup>2</sup>	14.66	15.51
Mean piston speed	m / sec.	10.33	10.85
Compression ratio		17 : 1	
Firing order		1 - 5 - 3 - 6 - 2 - 4	
Max. firing pressure of cylinder	kg / cm <sup>2</sup>	130	135
Compression pressure	at 200rpm	28 (Initial condition)	
Governor type of injection pump		Mechanical all speed (R.S.V)	
Fuel consumption	g / PS.h	162	163
	lit / h	70	79
Injection timing (B.T.D.C)	deg	14° ± 1°	14° ± 1°
Fuel inj. nozzle opening pressure	kg / cm <sup>2</sup>	1st : 160, 2nd : 220	
Starting system		Electric Starting by starter motor	
Starter motor capacity	V - kW	24 - 6.0	
Alternator capacity	V - A	24 - 50	
Battery	V - Ah	24 - 150	
Cooling system		Indirect sea water cooling with heat exchanger	
Cooling water capacity	Max. / Min.	lit 24 / 19	
Fresh water pump type		Centrifugal type, driven by gear	
Sea water pump type		Rubber impeller type driven by gear	
Lubricating oil (Engine)	Pan capacity	lit Max : 25, Min : 19 (Engine total : 27)	
	Pressure	kg / cm <sup>2</sup> Full : 3.5, Idle : 1.2	
Marine gear	Gear ratio	1.97	2.53 3.04 3.42
Direction of revolution	Crankshaft	Counter clockwise viewed from stern side	
	Propeller	Clockwise viewed from stern side	
Engine size (L×W×H)	Without M/G	mm 1,242 × 854 × 1,073	
	With M/G	mm 1,695 × 854 × 1,155	
Engine dry weight	Without M/G	kg 1,060	
	With M/G	kg 1,410	

## Performance Curve



L126TIH(July/05)



**Infracore**

Seoul Office : Overseas Marketing & Sales  
 Engine & Material BG  
 Doosan Infracore Co., Ltd.  
 22nd Floor, Doosan Tower, 18-12, Euljiro 6-ga,  
 Jung-gu, Seoul, Korea.  
 Tel : +82-2-3398-8534  
 Fax : +82-2-3398-8509  
 Web site : <http://iv.doosaninfracore.com>

AUTHORIZED DEALER

\* Specifications are subject to change without prior notice.