

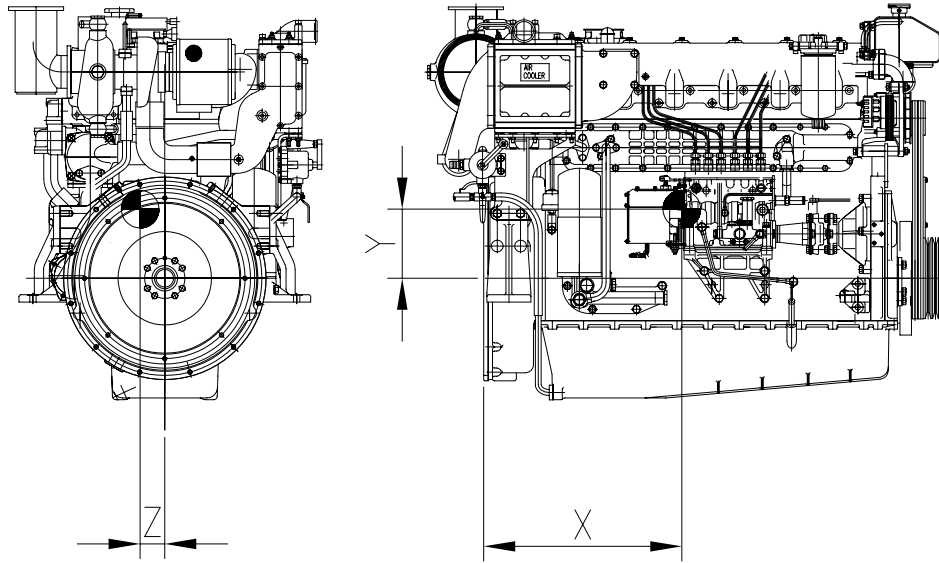


# CENTER OF GRAVITY

- L126TIH, L126TIM, AD126TI

65.99431-8002

2003.10.30



* WEIGHT	X	Y	Z	REMARKS
988.7 kg	557.0	187.5	17.2	

\* WEIGHT : WITHOUT ENGINE COOLING WATER  
ENGINE LUB. OIL  
HYDRAULIC CLUTCH