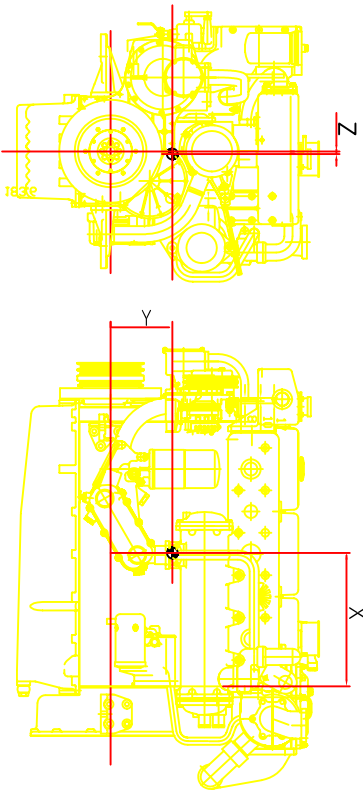




# CENTER OF GRAVITY

- L136TI & AD136TI

2005.05.30



* WEIGHT	X	Y	Z	REMARKS
773 kg	408	185	8	

\* WEIGHT : WITHOUT ENGINE COOLING WATER &  
ENGINE LUB. OIL  
REDUCTION GEAR