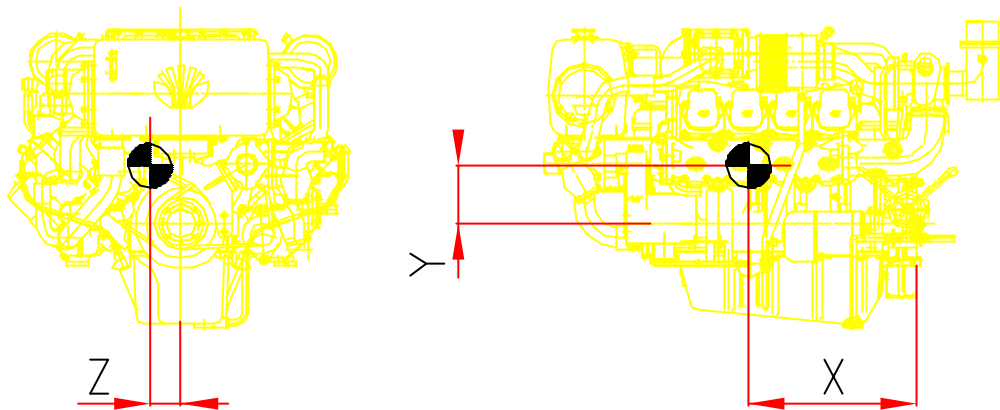




# CENTER OF GRAVITY

- V158TIH & V158TIM

2003.11.23



* WEIGHT	X	Y	Z	REMARKS
1370 kg	488	221	2	

\* WEIGHT : WITHOUT ENGINE COOLING WATER  
ENGINE LUB. OIL  
HYDRAULIC CLUTCH